

MODEL:

SRW18US

SmartRack® Wall-Mount Rack Enclosure Cabinet



18 Rack Units



250 lb Load Rating



Sturdy Steel Construction



Locking Doors & Side Panels



Hinged Wall Bracket



Standard EIA 310-E



Convenient Cable Access



Adjustable Mounting Rails



Ventilated for Ample Airflow



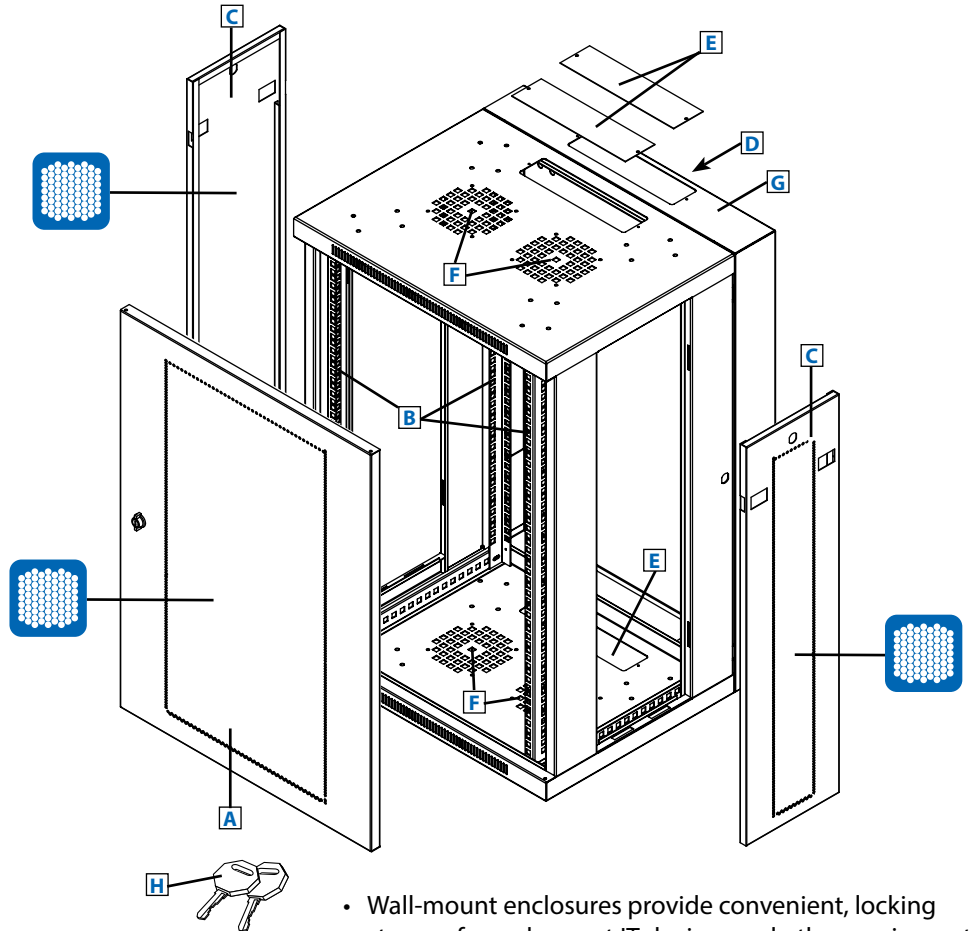
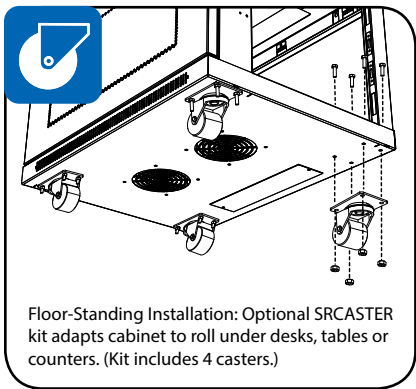
Reversible Cabinet



Square Hole Mounting

- A** Front Door (Lockable/Removable/Reversible)
- B** Adjustable Mounting Rails (4)
- C** Side Panels (2) (Lockable/Removable)
- D** Mounting Plate (Removable. Includes mounting hooks for cabinet.)
- E** Cable Access Port Covers (2) (Removable)
- F** Ventilation Fan Ports (4) (Support optional SRFANWM fan kit.)
- G** Hinged Wall Bracket
- H** Keys (2)

Also Includes: Owner's manual, mounting plate screws (3), cabinet ground screw, pre-installed front door ground wire and rackmount equipment mounting hardware (46 cage nuts, 46 mounting screws, 46 nylon cup washers).



- Wall-mount enclosures provide convenient, locking storage for rackmount IT devices and other equipment that should be off the floor, out of the way and secure
- The cabinet is fully reversible, allowing installers to change door hinges from left to right by simply rotating the unit 180 degrees before mounting
- Hinged wall bracket allows cabinet to swing away from the wall for convenient access to equipment and cabling

SEE NEXT PAGE FOR DETAILED UNIT MEASUREMENTS



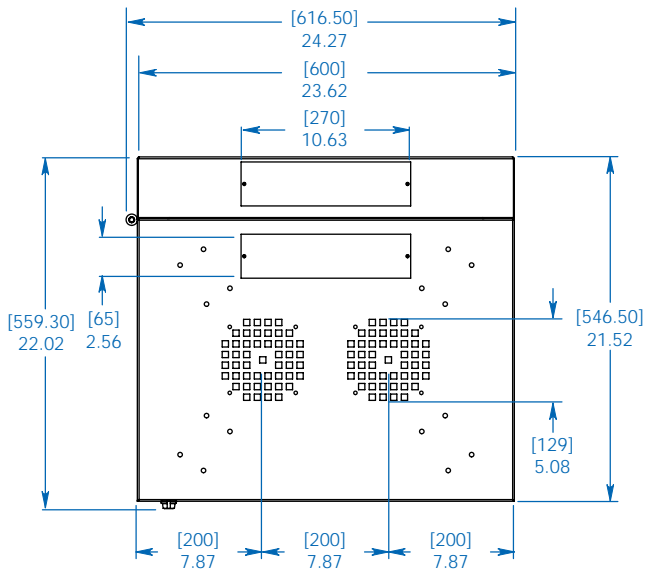
1111 W. 35th Street
Chicago, IL 60609 USA
773.869.1234
www.tripplite.com

Specifications

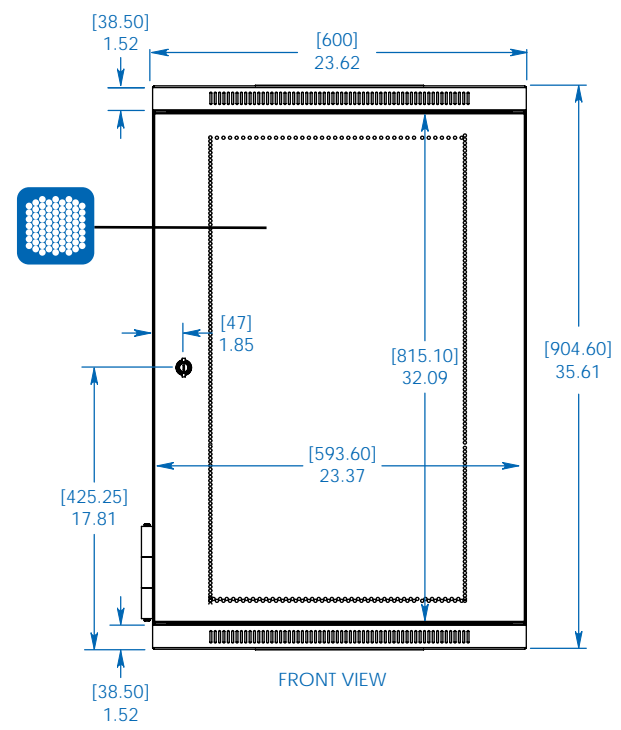
Model	SRW18US
Rack Spaces	18U
Equipment Mounting Depth	Up to 20.5 in (521 mm)
Load Rating*	250 lb (113 kg)
Unit Dimensions (H x W x D)	35.6 x 23.6 x 21.6 in (904.2 x 599.4 x 548.6 mm)
Shipping Dimensions (H x W x D)	41.3 x 25.5 x 23.6 in (1049 x 647.7 x 599.4 mm)
Unit Weight	96 lb (43.5 kg)
Shipping Weight	110 lb (49.9 kg)
Standards	Meets EIA-310-D, IEC 60297-3-100, DIN 41494, NOM, RoHS standards; IP20 Protection Rating

* The load rating includes the combined weight of the unit and installed equipment. The unit must be mounted to a stable surface with user-supplied anchors capable of bearing the full load. Tripp Lite has a policy of continuous improvement. Specifications are subject to change without notice.

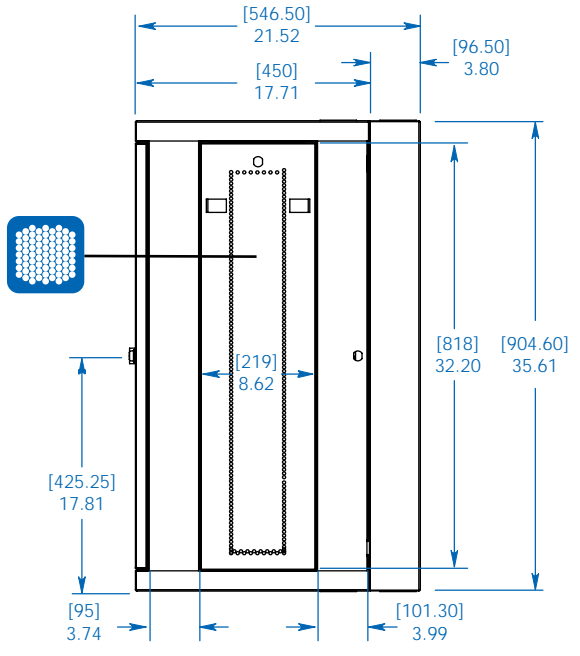




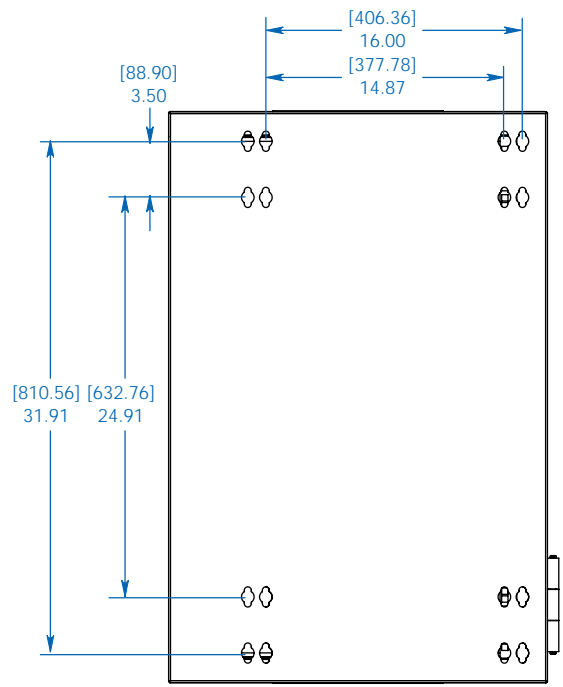
TOP/BOTTOM VIEW



FRONT VIEW



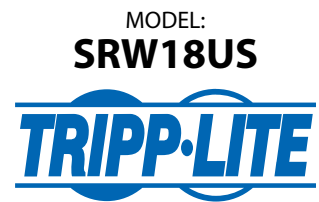
SIDE VIEW

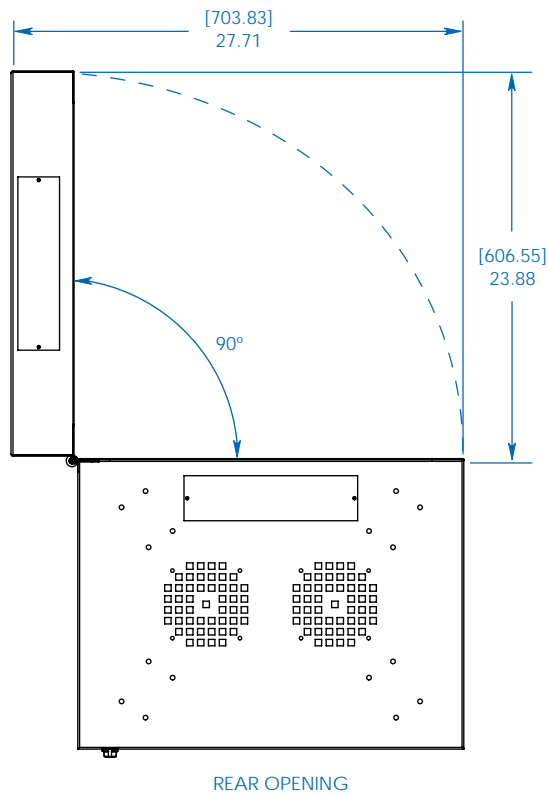
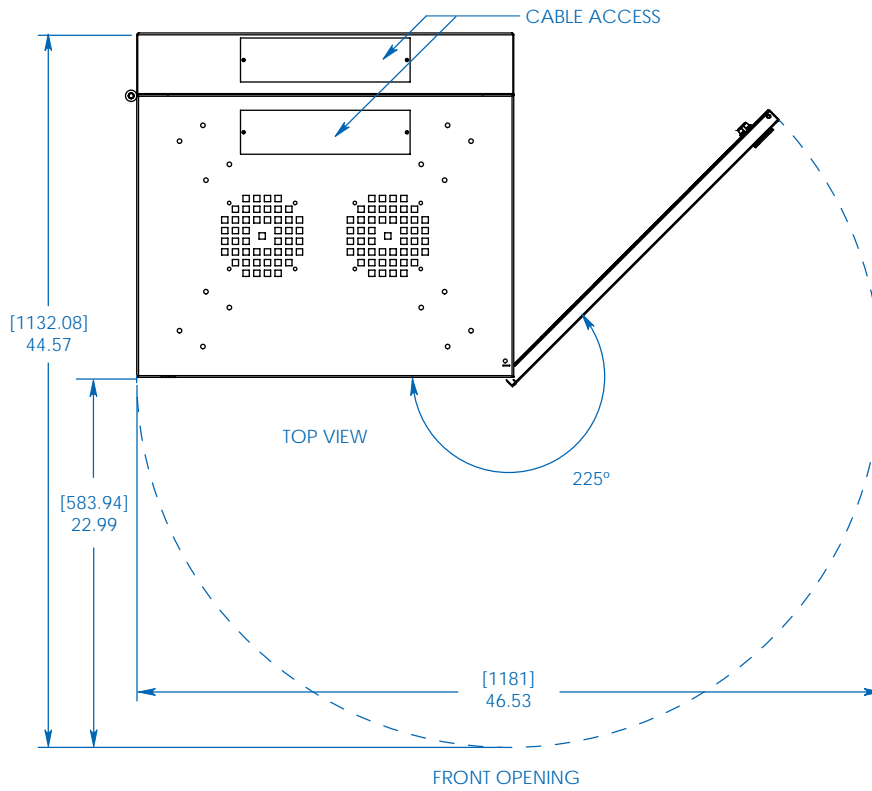


REAR VIEW

Dimensions: [mm] INCHES

Tripp Lite has a policy of continuous improvement. Specifications are subject to change without notice.





Dimensions: [mm] INCHES

Tripp Lite has a policy of continuous improvement. Specifications are subject to change without notice.

MODEL:
SRW18US

TRIPP·LITE

1111 W. 35th Street
Chicago, IL 60609 USA
773.869.1234
www.tripplite.com